

European Masters Games 26.-27.6.2023 Tampere F1F3-70

Competitors

Competitors: 4

#	Name	Grade	Club	1	2	3	4	Wins	Pts	Pos
1	Samantha HAMILTON	1.dan	GBR		10			1	10	3
2	Jemina SALONEN	1.dan	FIN					0	0	4
3	Julie VECOVÁ	1.dan	CZE	10	10			2	20	2
4	Laurence HYPOLITE	1.dan	FRA	10	10	10		3	30	1

Matches

Match	White	Blue	Result	Time
1	Samantha HAMILTON	Jemina SALONEN	10-00	0:13
2	Julie VECOVÁ	Laurence HYPOLITE	00-10	0:21
3	Samantha HAMILTON	Julie VECOVÁ	00s1-10s1	1:25
4	Jemina SALONEN	Laurence HYPOLITE	00-10	1:20
5	Samantha HAMILTON	Laurence HYPOLITE	00-10	1:24
6	Jemina SALONEN	Julie VECOVÁ	00-10	0:14

Results

Pos	Name
1	Laurence HYPOLITE, FRA
2	Julie VECOVÁ, CZE
3	Samantha HAMILTON, GBR
4	Jemina SALONEN, FIN

European Masters Games 26.-27.6.2023 Tampere F2F3-57

Competitors

Competitors: 2

#	Name	Grade	Club	1	2	1	2	1	2	Wins	Pts	Pos
1	Loredana LARI	1.dan	FIN		10		10			2	20	1
2	Franziska WALTHER	1.dan	GER							0	0	2

Matches

Match	White			Blue	Result	Time
1	Loredana LARI	1	2	Franziska WALTHER	11-00	1:34
2	Loredana LARI	1	2	Franziska WALTHER	10-00	1:17
3	Loredana LARI	1	2	Franziska WALTHER		

Results

Pos	Name
1	Loredana LARI, FIN
2	Franziska WALTHER, GER

European Masters Games 26.-27.6.2023 Tampere F2F3-63

Competitors

Competitors: 3

#	Name	Grade	Club	1	2	3	Wins	Pts	Pos
1	Daniela KORTMANN	1.dan	GER			10	1	10	2
2	Katja JANK	1.dan	GER	10			1	10	1
3	Katrina GEARY	1.dan	GBR		10		1	10	3

Matches

Match	White		Blue	Result	Time
1	Daniela KORTMANN	1	2 Katja JANK	00-10	0:33
2	Daniela KORTMANN	1	3 Katrina GEARY	10-00	1:56
3	Katja JANK	2	3 Katrina GEARY	01s1-10	2:02

Results

Pos	Name
1	Katja JANK, GER
2	Daniela KORTMANN, GER
3	Katrina GEARY, GBR

European Masters Games 26.-27.6.2023 Tampere F3F6-52

Competitors

Competitors: 3

#	Name	Grade	Club	1	2	3	Wins	Pts	Pos
1	Lucie BRONNER	1.dan	FRA			10	1	10	2
2	Laetitia COUPEAU	1.dan	FRA	10		10	2	20	1
3	Silke RÜHL	1.dan	GER				0	0	3

Matches

Match	White	Blue	Result	Time
1	Lucie BRONNER	1 2 Laetitia COUPEAU	00-10	0:48
2	Lucie BRONNER	1 3 Silke RÜHL	10-00s1	0:47
3	Laetitia COUPEAU	2 3 Silke RÜHL	11-00	0:31

Results

Pos	Name
1	Laetitia COUPEAU, FRA
2	Lucie BRONNER, FRA
3	Silke RÜHL, GER

European Masters Games 26.-27.6.2023 Tampere F4F5-70

Competitors

Competitors: 3

#	Name	Grade	Club	1	2	3	Wins	Pts	Pos
1	Simone GLENZ	1.dan	GER		10	10	2	20	1
2	Anke HEIDRICH	1.dan	GER				0	0	3
3	Delphine ROLAND	1.dan	FRA		1		1	1	2

Matches

Match	White			Blue	Result	Time
1	Simone GLENZ	1	2	Anke HEIDRICH	10-00	0:52
2	Simone GLENZ	1	3	Delphine ROLAND	10-00s2	2:27
3	Anke HEIDRICH	2	3	Delphine ROLAND	00s1-01s1	3:00

Results

Pos	Name
1	Simone GLENZ, GER
2	Delphine ROLAND, FRA
3	Anke HEIDRICH, GER

European Masters Games 26.-27.6.2023 Tampere F6F9-70

Competitors

Competitors: 4

#	Name	Grade	Club	1	2	3	4	Wins	Pts	Pos
1	Astrid MACHULIK	1.dan	GER		10	10		2	20	2
2	Oda WEIGHART	1.dan	GER			10		1	10	3
3	Asako Takekuma KATSUMATA	1.dan	USA					0	0	4
4	Françoise DUFRESNE	1.dan	FRA	1	10	10		3	21	1

Matches

Match	White		Blue		Result	Time
1	Astrid MACHULIK	1	2	Oda WEIGHART	10s1-00s1	2:04
2	Asako Takekuma KATSUMATA	3	4	Françoise DUFRESNE	00-10	0:29
3	Astrid MACHULIK	1	3	Asako Takekuma KATSUMATA	10-00s2	1:19
4	Oda WEIGHART	2	4	Françoise DUFRESNE	00-10	0:32
5	Astrid MACHULIK	1	4	Françoise DUFRESNE	00s1-01s1	3:30
6	Oda WEIGHART	2	3	Asako Takekuma KATSUMATA	10-00s1	1:09

Results

Pos	Name
1	Françoise DUFRESNE, FRA
2	Astrid MACHULIK, GER
3	Oda WEIGHART, GER
4	Asako Takekuma KATSUMATA, USA

European Masters Games 26.-27.6.2023 Tampere M1-73

Competitors

Competitors: 2

#	Name	Grade	Club	1	2	1	2	1	2	Wins	Pts	Pos
1	Christopher COLEY	1.dan	GBR							0	0	2
2	Alex PASKE	1.dan	GBR	10		10				2	20	1

Matches

Match	White			Blue	Result	Time
1	Christopher COLEY	1	2	Alex PASKE	00-10	0:28
2	Christopher COLEY	1	2	Alex PASKE	00-10	0:47
3	Christopher COLEY	1	2	Alex PASKE		

Results

Pos	Name
1	Alex PASKE, GBR
2	Christopher COLEY, GBR

European Masters Games 26.-27.6.2023 Tampere M1M2-66

Competitors

Competitors: 2

#	Name	Grade	Club	1	2	1	2	1	2	Wins	Pts	Pos
1	Brice FOURNIER	1.dan	FRA							0	0	2
2	Daniel LOMBARDO	1.dan	ITA	10		10				2	20	1

Matches

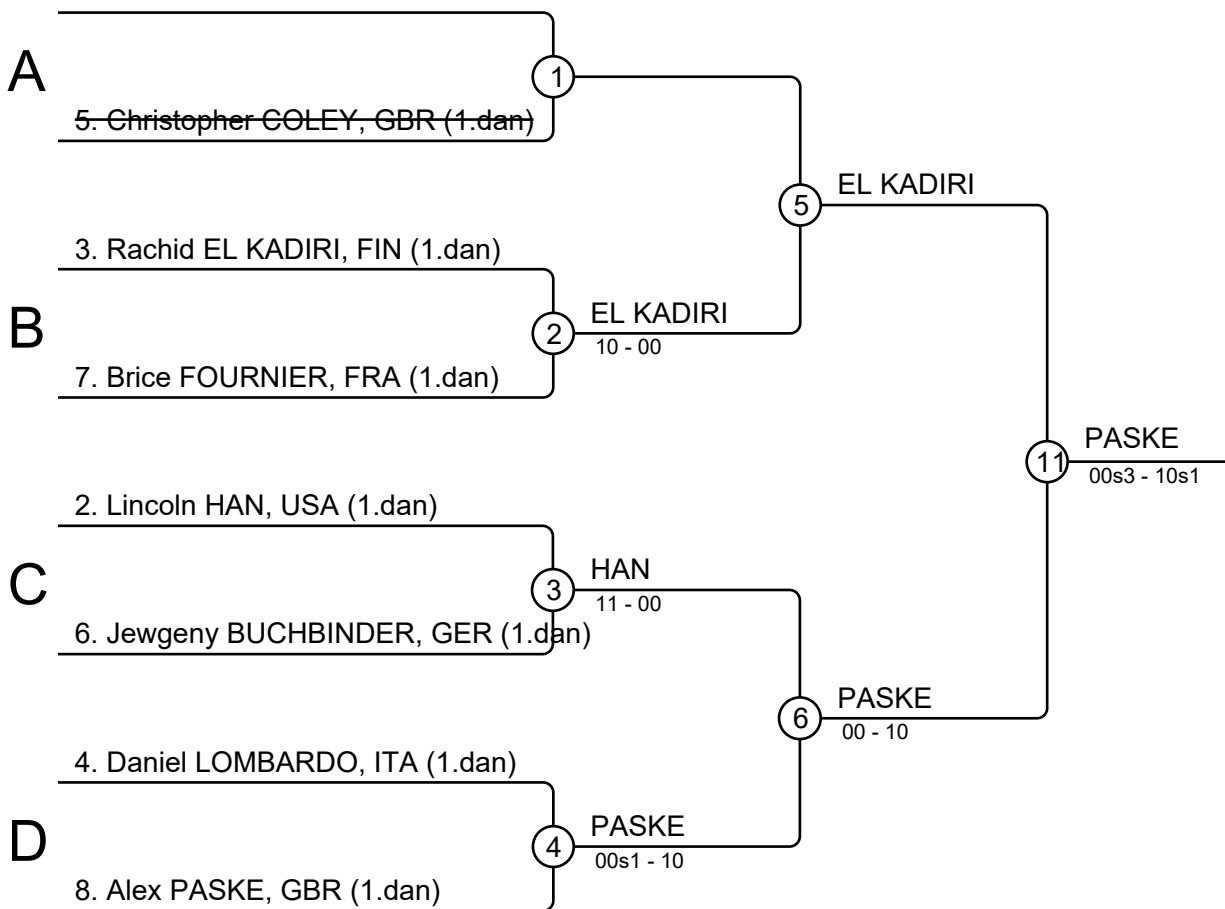
Match	White	Blue	Result	Time
1	Brice FOURNIER	Daniel LOMBARDO	00s2-10s1	1:24
2	Brice FOURNIER	Daniel LOMBARDO	00s2-10	3:50
3	Brice FOURNIER	Daniel LOMBARDO		

Results

Pos	Name
1	Daniel LOMBARDO, ITA
2	Brice FOURNIER, FRA

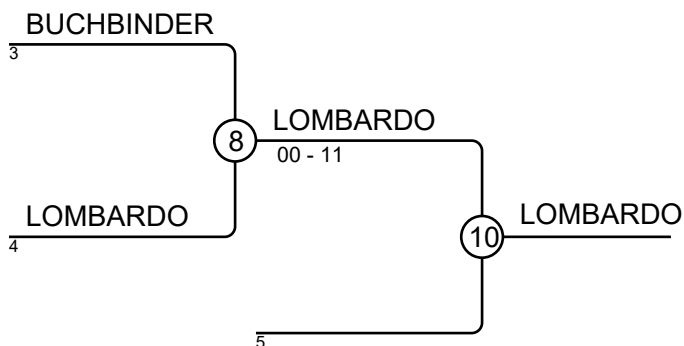
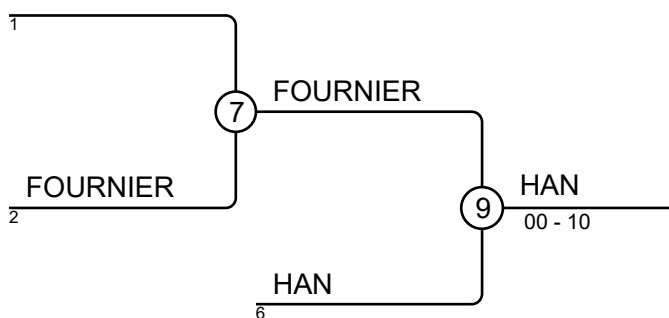
European Masters Games 26.-27.6.2023 Tampere M1M2-73

Competitors: 7



Results

Pos	Name
1	Alex PASKE, GBR
2	Rachid EL KADIRI, FIN
3	Lincoln HAN, USA
3	Daniel LOMBARDO, ITA
5	Brice FOURNIER, FRA
5	
7	
7	Jewgeny BUCHBINDER, GER



European Masters Games 26.-27.6.2023 Tampere M1M2-81

Competitors

Competitors: 5

#	Name	Grade	Club	1	2	3	4	5	Wins	Pts	Pos
1	Rachid EL KADIRI	1.dan	FIN		10	10	10	10	4	40	1
2	Konstantin KARPOV	1.dan	FIN						0	0	5
3	Joan LOUIS	1.dan	FRA		10		10	10	3	30	2
4	Ben STANLEY	1.dan	GBR		1				1	1	4
5	Lewis HANNINGTON	1.dan	GBR		10		10		2	20	3

Matches

Match	White		Blue	Result	Time
1	Ben STANLEY	4	5	Lewis HANNINGTON	00-10s1 1:52
2	Rachid EL KADIRI	1	2	Konstantin KARPOV	10-00 1:03
3	Joan LOUIS	3	4	Ben STANLEY	10-00 0:27
4	Rachid EL KADIRI	1	5	Lewis HANNINGTON	10-00 1:34
5	Konstantin KARPOV	2	3	Joan LOUIS	00-10 0:58
6	Rachid EL KADIRI	1	4	Ben STANLEY	10-00s1 1:30
7	Joan LOUIS	3	5	Lewis HANNINGTON	10-00 0:41
8	Konstantin KARPOV	2	4	Ben STANLEY	00-01 3:00
9	Rachid EL KADIRI	1	3	Joan LOUIS	10-00s1 1:24
10	Konstantin KARPOV	2	5	Lewis HANNINGTON	00-10 1:35

Results

Pos	Name
1	Rachid EL KADIRI, FIN
2	Joan LOUIS, FRA
3	Lewis HANNINGTON, GBR
4	Ben STANLEY, GBR
5	Konstantin KARPOV, FIN

European Masters Games 26.-27.6.2023 Tampere M1M2+90

Competitors

Competitors: 4

#	Name	Grade	Club	1	2	3	4	Wins	Pts	Pos
1	Nathan SALKELD	1.dan	GBR					0	0	3
2	Nathan LOCKEY	1.dan	GBR	10		10		2	20	1
3	Valentin PALLASE	1.dan	EST	10				1	10	2
4	Alexis PLANTARD	1.dan	FRA					0	0	4

Matches

Match	White		Blue		Result	Time
1	Nathan SALKELD	1	2	Nathan LOCKEY	00-10s1	0:53
2	Valentin PALLASE	3	4	Alexis PLANTARD		
3	Nathan SALKELD	1	3	Valentin PALLASE	00-10	0:22
4	Nathan LOCKEY	2	4	Alexis PLANTARD		
5	Nathan SALKELD	1	4	Alexis PLANTARD		
6	Nathan LOCKEY	2	3	Valentin PALLASE	10-00	0:48

Results

Pos	Name
1	Nathan LOCKEY, GBR
2	Valentin PALLASE, EST
3	Nathan SALKELD, GBR
4	Alexis PLANTARD, FRA

European Masters Games 26.-27.6.2023 Tampere M2-73

Competitors

Competitors: 2

#	Name	Grade	Club	1	2	1	2	1	2	Wins	Pts	Pos
1	Jewgeny BUCHBINDER	1.dan	GER							0	0	2
2	Rachid EL KADIRI	1.dan	FIN	10		10				2	20	1

Matches

Match	White			Blue	Result	Time
1	Jewgeny BUCHBINDER	1	2	Rachid EL KADIRI	00-10	1:05
2	Jewgeny BUCHBINDER	1	2	Rachid EL KADIRI	00s1-10	0:47
3	Jewgeny BUCHBINDER	1	2	Rachid EL KADIRI		

Results

Pos	Name
1	Rachid EL KADIRI, FIN
2	Jewgeny BUCHBINDER, GER

European Masters Games 26.-27.6.2023 Tampere M2M3-90

Competitors

Competitors: 3

#	Name	Grade	Club	1	2	3	Wins	Pts	Pos
1	Konstantin KARPOV	1.dan	FIN				0	0	3
2	Alexis PLANTARD	1.dan	FRA	10			1	10	2
3	Fabian VANHOLLEBEKE	1.dan	BEL	10	10		2	20	1

Matches

Match	White	Blue	Result	Time
1	Konstantin KARPOV	1 2 Alexis PLANTARD	00-10	0:17
2	Konstantin KARPOV	1 3 Fabian VANHOLLEBEKE	00-10	0:51
3	Alexis PLANTARD	2 3 Fabian VANHOLLEBEKE	00s3-10s1	1:29

Results

Pos	Name
1	Fabian VANHOLLEBEKE, BEL
2	Alexis PLANTARD, FRA
3	Konstantin KARPOV, FIN

European Masters Games 26.-27.6.2023 Tampere M3-81

Competitors

Competitors: 2

#	Name	Grade	Club	1	2	Wins	Pts	Pos
1	Abbas SALIHU	1.dan	GBR			0	0	2
2	Vladimir OLEINIC	1.dan	GBR	10		1	10	1

Matches

Match	White			Blue	Result	Time
1	Abbas SALIHU	1	2	Vladimir OLEINIC	00s2-10	2:30

Results

Pos	Name
1	Vladimir OLEINIC, GBR
2	Abbas SALIHU, GBR

European Masters Games 26.-27.6.2023 Tampere M3M4-73

Competitors

Competitors: 2

#	Name	Grade	Club	1	2	1	2	1	2	Wins	Pts	Pos
1	Lincoln HAN	1.dan	USA		10		10			2	20	1
2	Marko HILTUNEN	1.dan	FIN							0	0	2

Matches

Match	White			Blue	Result	Time
1	Lincoln HAN	1	2	Marko HILTUNEN	10-00	2:18
2	Lincoln HAN	1	2	Marko HILTUNEN	10s1-00s3	5:32
3	Lincoln HAN	1	2	Marko HILTUNEN		

Results

Pos	Name
1	Lincoln HAN, USA
2	Marko HILTUNEN, FIN

European Masters Games 26.-27.6.2023 Tampere M3M4+90

Competitors

Competitors: 3

#	Name	Grade	Club	1	2	3	Wins	Pts	Pos
1	Moisés GOMEZ	1.dan	ESP				0	0	3
2	Ethaniel JEFFRIES-MOR	1.dan	GBR	10		10	2	20	1
3	Witold FIJALKOWSKI	1.dan	POL	10			1	10	2

Matches

Match	White			Blue	Result	Time
1	Moisés GOMEZ	1	2	Ethaniel JEFFRIES-MOR	00-11	1:20
2	Moisés GOMEZ	1	3	Witold FIJALKOWSKI	00s1-10s1	2:04
3	Ethaniel JEFFRIES-MOR	2	3	Witold FIJALKOWSKI	10s2-00s3	9:46

Results

Pos	Name
1	Ethaniel JEFFRIES-MOR, GBR
2	Witold FIJALKOWSKI, POL
3	Moisés GOMEZ, ESP

European Masters Games 26.-27.6.2023 Tampere M4-66

Competitors

Competitors: 2

#	Name	Grade	Club	1	2	1	2	1	2	Wins	Pts	Pos
1	Asser KOKKONEN	1.dan	FIN		10		10			2	20	1
2	Jose Miguel BRETONES GARCIA	1.dan	ESP							0	0	2

Matches

Match	White	Blue	Result	Time
1	Asser KOKKONEN 1 2	Jose Miguel BRETONES GARCIA	10-00	1:29
2	Asser KOKKONEN 1 2	Jose Miguel BRETONES GARCIA	10-00	0:22
3	Asser KOKKONEN 1 2	Jose Miguel BRETONES GARCIA		

Results

Pos	Name
1	Asser KOKKONEN, FIN
2	Jose Miguel BRETONES GARCIA, ESP

European Masters Games 26.-27.6.2023 Tampere M4-81

Competitors

Competitors: 4

#	Name	Grade	Club	1	2	3	4	Wins	Pts	Pos
1	David BABISE	1.dan	FRA		10	10	10	3	30	1
2	Ludovic FROMONT	1.dan	FRA			10	10	2	20	2
3	James CROMPTON	1.dan	GBR					0	0	4
4	Ruslan JAKIMOV	1.dan	EST			10		1	10	3

Matches

Match	White	Blue	Result	Time
1	David BABISE	1 2 Ludovic FROMONT	10-00s2	0:51
2	James CROMPTON	3 4 Ruslan JAKIMOV	00-10	1:03
3	David BABISE	1 3 James CROMPTON	10-00	0:14
4	Ludovic FROMONT	2 4 Ruslan JAKIMOV	10s1-00s1	0:35
5	David BABISE	1 4 Ruslan JAKIMOV	10-00	0:10
6	Ludovic FROMONT	2 3 James CROMPTON	10-00	0:24

Results

Pos	Name
1	David BABISE, FRA
2	Ludovic FROMONT, FRA
3	Ruslan JAKIMOV, EST
4	James CROMPTON, GBR

European Masters Games 26.-27.6.2023 Tampere M5M6-81

Competitors

Competitors: 5

#	Name	Grade	Club	1	2	3	4	5	Wins	Pts	Pos
1	Pasi LAUREN	1.dan	FIN		10	10	10	10	4	40	1
2	Alessio MERLO	1.dan	ITA						0	0	5
3	Richard BUDD	1.dan	GBR		10				1	10	4
4	Stephan STEIGMANN	1.dan	GER		10	10			2	20	3
5	Henning SUDAU	1.dan	GER		10	10	10		3	30	2

Matches

Match	White	Blue	Result	Time
1	Stephan STEIGMANN	4 5 Henning SUDAU	00-10	1:34
2	Pasi LAUREN	1 2 Alessio MERLO	10-00s1	1:13
3	Richard BUDD	3 4 Stephan STEIGMANN	00-10	1:23
4	Pasi LAUREN	1 5 Henning SUDAU	11-00	1:02
5	Alessio MERLO	2 3 Richard BUDD	00s1-10	1:27
6	Pasi LAUREN	1 4 Stephan STEIGMANN	10-00s1	1:24
7	Richard BUDD	3 5 Henning SUDAU	00s1-10	0:52
8	Alessio MERLO	2 4 Stephan STEIGMANN	00-10	0:57
9	Pasi LAUREN	1 3 Richard BUDD	10-00	1:15
10	Alessio MERLO	2 5 Henning SUDAU	00-11	0:53

Results

Pos	Name
1	Pasi LAUREN, FIN
2	Henning SUDAU, GER
3	Stephan STEIGMANN, GER
4	Richard BUDD, GBR
5	Alessio MERLO, ITA

European Masters Games 26.-27.6.2023 Tampere M5M6-90

Competitors

Competitors: 5

#	Name	Grade	Club	1	2	3	4	5	Wins	Pts	Pos
1	Laurent LENAERTS	1.dan	BEL		10	10		10	3	30	1
2	Jevgeni JAKIMOV	1.dan	EST					10	1	10	3
3	Ashley PARRETTE	1.dan	GBR		10			10	2	20	2
4	Hans-Göran SUNDSTRÖM	1.dan	SWE						0	0	5
5	Jussi OKKONEN	1.dan	FIN				10		0	0	4

Matches

Match	White		Blue		Result	Time
1	Hans-Göran SUNDSTRÖM	4	5	Jussi OKKONEN	00-10	0:00
2	Laurent LENAERTS	1	2	Jevgeni JAKIMOV	10-01	2:08
3	Ashley PARRETTE	3	4	Hans-Göran SUNDSTRÖM		
4	Laurent LENAERTS	1	5	Jussi OKKONEN	10-00	0:31
5	Jevgeni JAKIMOV	2	3	Ashley PARRETTE	01-10	1:21
6	Laurent LENAERTS	1	4	Hans-Göran SUNDSTRÖM		
7	Ashley PARRETTE	3	5	Jussi OKKONEN	10-00	0:14
8	Jevgeni JAKIMOV	2	4	Hans-Göran SUNDSTRÖM		
9	Laurent LENAERTS	1	3	Ashley PARRETTE	11-00	1:36
10	Jevgeni JAKIMOV	2	5	Jussi OKKONEN	10s1-00s1	0:57

Results

Pos	Name
1	Laurent LENAERTS, BEL
2	Ashley PARRETTE, GBR
3	Jevgeni JAKIMOV, EST
4	Jussi OKKONEN, FIN
5	Hans-Göran SUNDSTRÖM, SWE

European Masters Games 26.-27.6.2023 Tampere M5M6-100

Competitors

Competitors: 3

#	Name	Grade	Club	1	2	3	Wins	Pts	Pos
1	Stephen PREECE	1.dan	GBR		1		1	1	2
2	Marcus UTZAT	1.dan	GER				0	0	3
3	Rob KROONEN	1.dan	NED	10	10		2	20	1

Matches

Match	White	Blue	Result	Time
1	Stephen PREECE 1 2	Marcus UTZAT	01-00s1	3:00
2	Stephen PREECE 1 3	Rob KROONEN	00s1-10s1	3:29
3	Marcus UTZAT 2 3	Rob KROONEN	00-10	0:10

Results

Pos	Name
1	Rob KROONEN, NED
2	Stephen PREECE, GBR
3	Marcus UTZAT, GER

European Masters Games 26.-27.6.2023 Tampere M5M8+100

Competitors

Competitors: 4

#	Name	Grade	Club	1	2	3	4	Wins	Pts	Pos
1	Mark MCCALLUM	1.dan	GBR					0	0	4
2	Joseph WILLIAMS	1.dan	GBR	10			10	1	10	2
3	Bischof JENS-PETER	1.dan	GER		10		10	2	20	1
4	Thierry BORDES	1.dan	FRA					0	0	3

Matches

Match	White	White	Blue	Blue	Result	Time
1	Mark MCCALLUM	1	2	Joseph WILLIAMS	00s3-10	1:05
2	Bischof JENS-PETER	3	4	Thierry BORDES	10-00	0:25
3	Mark MCCALLUM	1	3	Bischof JENS-PETER		
4	Joseph WILLIAMS	2	4	Thierry BORDES	10s1-00	2:11
5	Mark MCCALLUM	1	4	Thierry BORDES		
6	Joseph WILLIAMS	2	3	Bischof JENS-PETER	00-10	0:32

Results

Pos	Name
1	Bischof JENS-PETER, GER
2	Joseph WILLIAMS, GBR
3	Thierry BORDES, FRA
4	Mark MCCALLUM, GBR

European Masters Games 26.-27.6.2023 Tampere M5M8-66

Competitors

Competitors: 4

#	Name	Grade	Club	1	2	3	4	Wins	Pts	Pos
1	Clive BIGGS	1.dan	GBR					0	0	4
2	Mykola DANKANYCH	1.dan	UKR	10		1		2	11	2
3	Geert VOS	1.dan	NED	10			0	2	10	3
4	Peter KOLESÁR	1.dan	CZE	10	10			2	20	1

Matches

Match	White		Blue		Result	Time
1	Clive BIGGS	1	2	Mykola DANKANYCH	00-10	0:39
2	Geert VOS	3	4	Peter KOLESÁR	00s1-00s1	3:30
3	Clive BIGGS	1	3	Geert VOS	00-10	0:53
4	Mykola DANKANYCH	2	4	Peter KOLESÁR	01-10s1	1:34
5	Clive BIGGS	1	4	Peter KOLESÁR	00-10	0:20
6	Mykola DANKANYCH	2	3	Geert VOS	01-00s1	2:30

Results

Pos	Name
1	Peter KOLESÁR, CZE
2	Mykola DANKANYCH, UKR
3	Geert VOS, NED
4	Clive BIGGS, GBR

European Masters Games 26.-27.6.2023 Tampere M7M8-90

Competitors

Competitors: 3

#	Name	Grade	Club	1	2	3	Wins	Pts	Pos
1	Genio VAN HOOF	1.dan	NED		10	1	2	11	1
2	Chris STIKVOORT	1.dan	NED				0	0	3
3	John THACKER	1.dan	GBR		1		1	1	2

Matches

Match	White			Blue	Result	Time
1	Genio VAN HOOF	1	2	Chris STIKVOORT	10-00	0:14
2	Genio VAN HOOF	1	3	John THACKER	01s1-00s2	2:30
3	Chris STIKVOORT	2	3	John THACKER	00s2-01	2:30

Results

Pos	Name
1	Genio VAN HOOF, NED
2	John THACKER, GBR
3	Chris STIKVOORT, NED

European Masters Games 26.-27.6.2023 Tampere M8M9-81

Competitors

Competitors: 2

#	Name	Grade	Club	1	2	1	2	1	2	Wins	Pts	Pos
1	André LUISI	1.dan	BEL		10		10			2	20	1
2	Wolfgang LÖFFLER	1.dan	GER							0	0	2

Matches

Match	White	Blue	Result	Time
1	André LUISI	1 2 Wolfgang LÖFFLER	10s2-00s1	2:04
2	André LUISI	1 2 Wolfgang LÖFFLER	10s2-00s1	2:08
3	André LUISI	1 2 Wolfgang LÖFFLER		

Results

Pos	Name
1	André LUISI, BEL
2	Wolfgang LÖFFLER, GER

European Masters Games 26.-27.6.2023 Tampere M10-73

Competitors

Competitors: 3

#	Name	Grade	Club	1	2	3	Wins	Pts	Pos
1	Jouko RANTANEN	1.dan	FIN				0	0	3
2	Tom PAHLMAN	1.dan	FIN	10		0	2	10	1
3	Stan CANTRILL	1.dan	GBR	10			1	10	2

Matches

Match	White			Blue	Result	Time
1	Jouko RANTANEN	1	2	Tom PAHLMAN	00-11	1:39
2	Jouko RANTANEN	1	3	Stan CANTRILL	00s1-11	2:05
3	Tom PAHLMAN	2	3	Stan CANTRILL	00s2-00s2	3:30

Results

Pos	Name
1	Tom PAHLMAN, FIN
2	Stan CANTRILL, GBR
3	Jouko RANTANEN, FIN